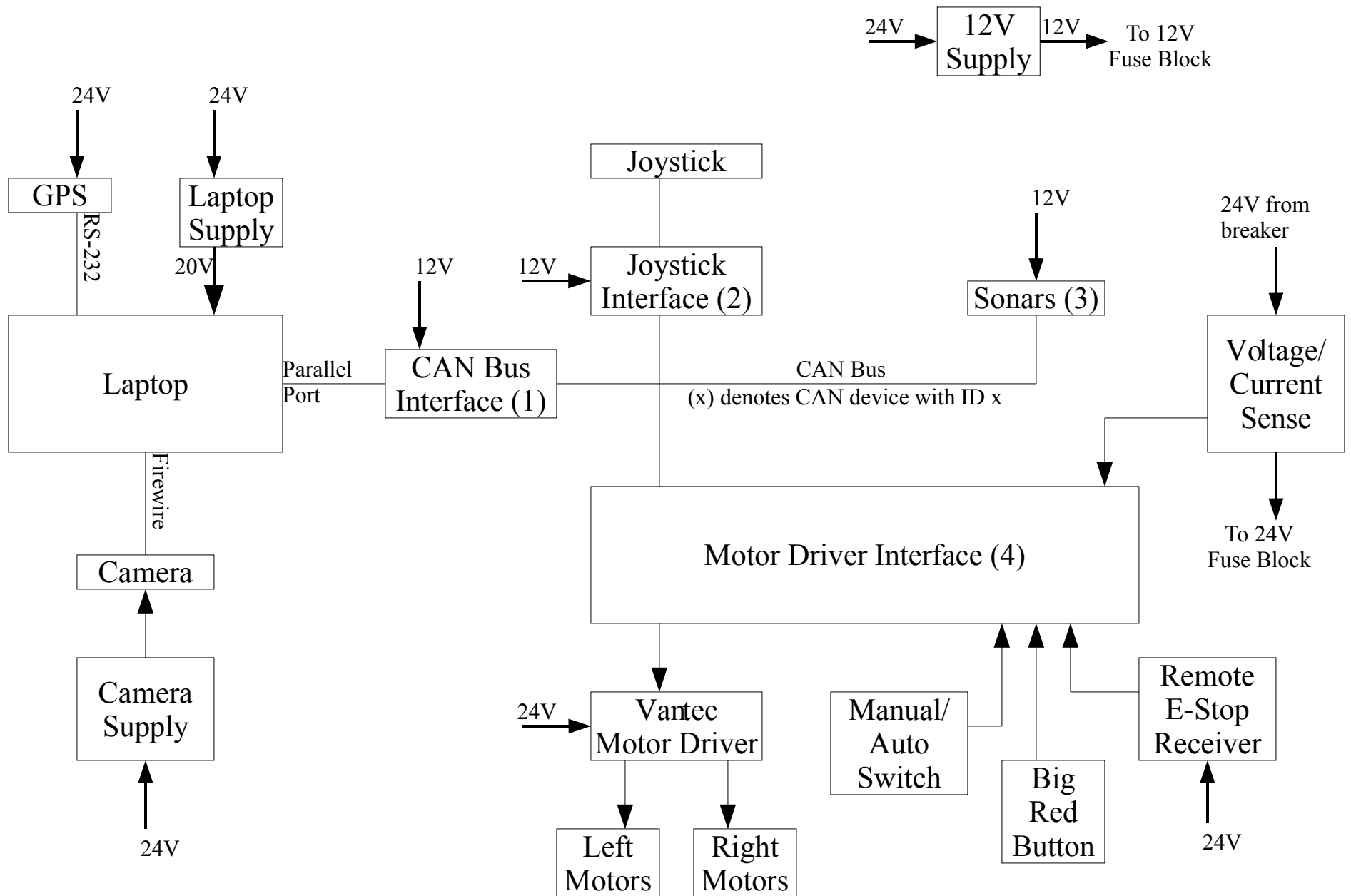
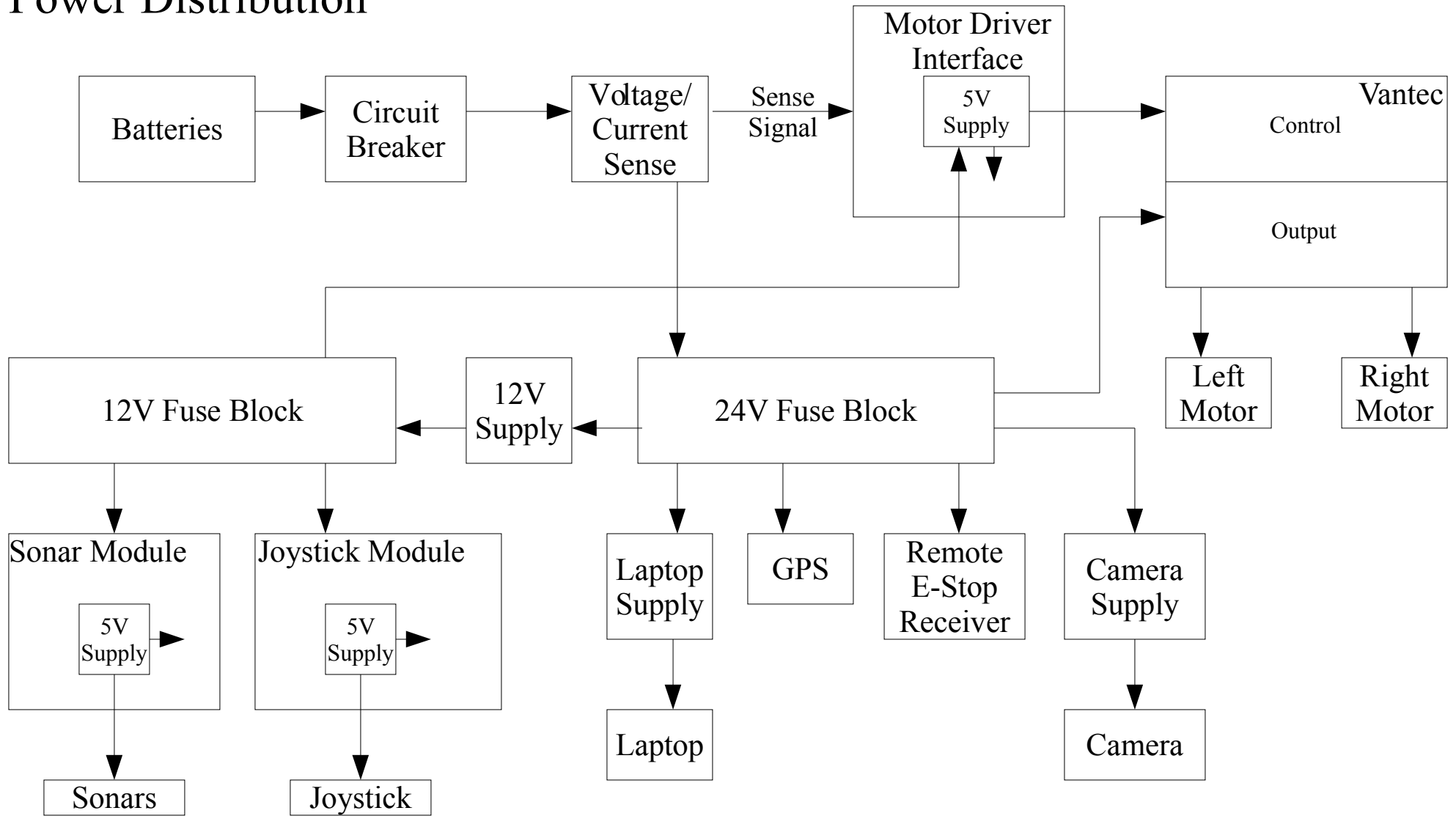


Modules and Data Connections

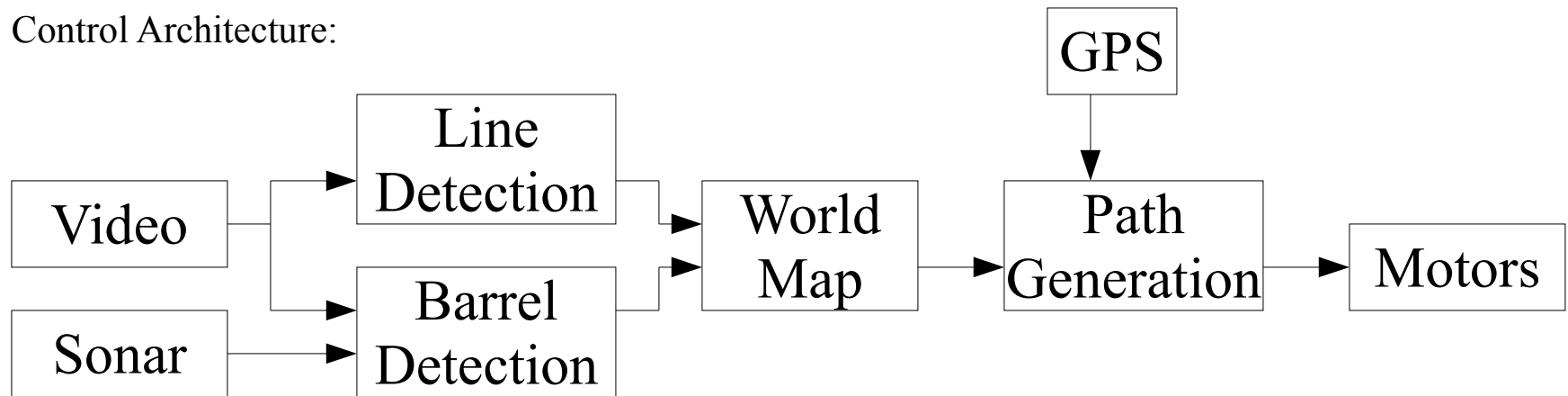


Power Distribution



Software

Control Architecture:



Command/data flow:

