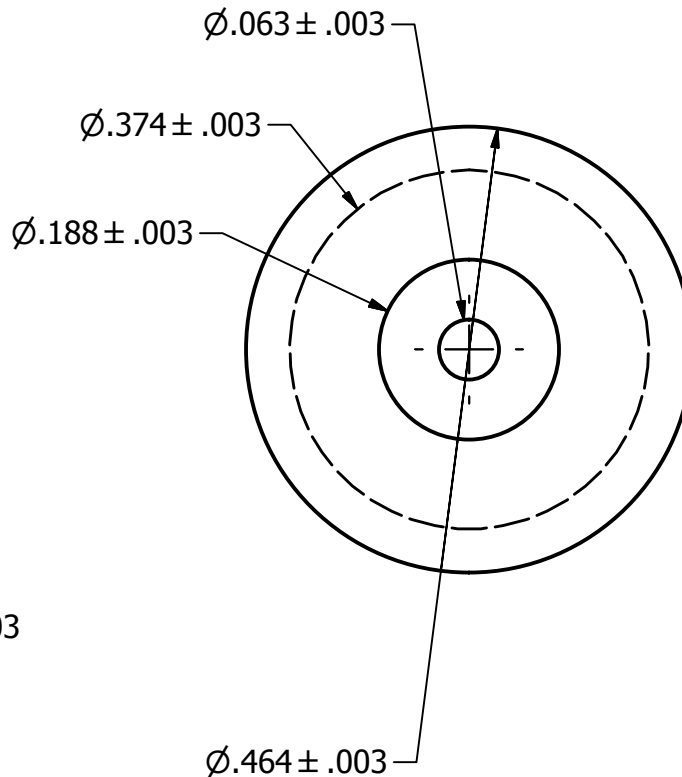
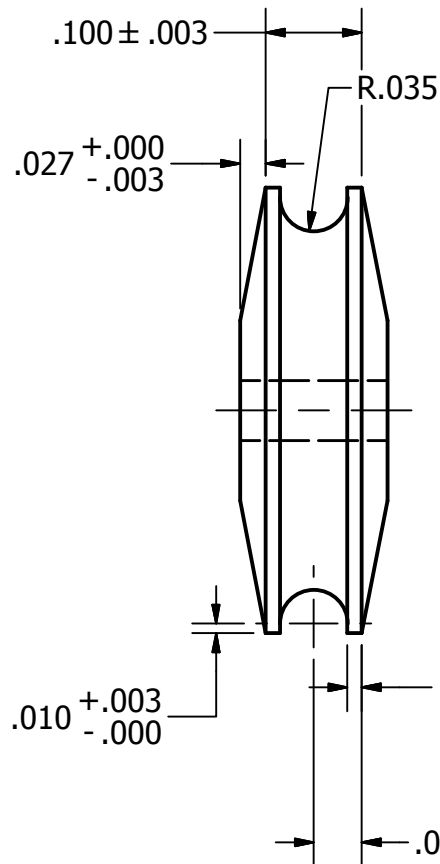


2

1



UNITS: Inches

MATERIAL: Aluminum Alloy 6061

SCALE 5 : 1

DRAWN Arjun Menon	2/1/2009
CHECKED Stefan Posey	3/15/2009
QA	
MFG	
APPROVED	

RoboJackets			
TITLE			
Roller Hub			
SIZE	DWG NO	REV	
A	RC-2009-01-02		
SCALE	SHEET 1 OF 1		

2

1